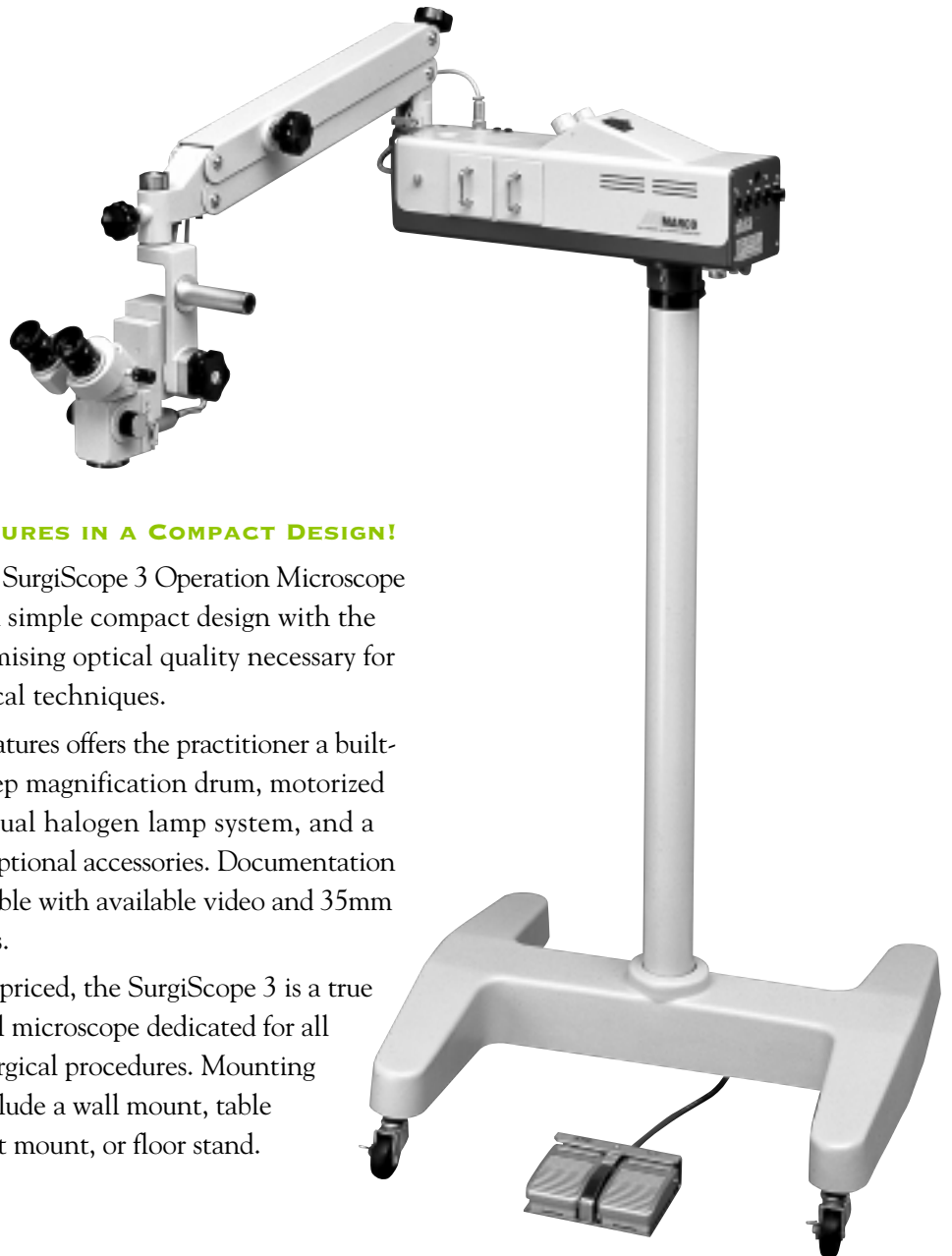


SURGISCOPE 3 OPERATION MICROSCOPE



BIG FEATURES IN A COMPACT DESIGN!

The Marco SurgiScope 3 Operation Microscope combines a simple compact design with the uncompromising optical quality necessary for microsurgical techniques.

Its list of features offers the practitioner a built-in three-step magnification drum, motorized focusing, dual halogen lamp system, and a variety of optional accessories. Documentation is also possible with available video and 35mm camera kits.

Affordably priced, the SurgiScope 3 is a true professional microscope dedicated for all in-office surgical procedures. Mounting options include a wall mount, table mount, unit mount, or floor stand.

SURGISCOPE 3 SPECIFICATIONS

MICROSCOPE SECTION

Binocular Tube	45° inclined with converging optics
Eyepieces	12.5x
Magnification Changes	Built-in manual 3-step changer
Total Magnification	4.6x; 7.7x; 12.3x
Field of View	43.5mm; 26mm; 16.3mm
Objective	F=175mm (for ophthalmology) F=200, 250, 300, 350mm (for general micro-surgical fields)
Focusing Speed	Fine movement at 2.5mm/sec., stroke 36mm
Working Distance	169mm
Interpupillary Distance Adjustment	47 – 90mm
Diopter Adjustment	0 – ±8D

ILLUMINATION SYSTEM

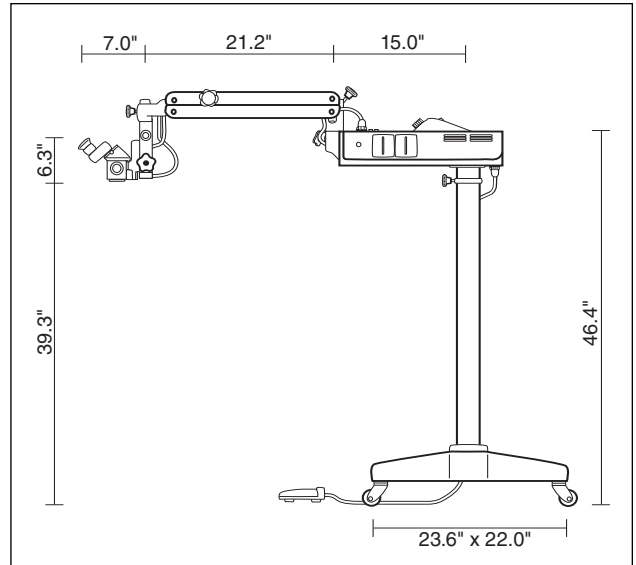
Type	Coaxial illumination by optical light-guide system
Light Source	15V/150W halogen lamp
Illumination Control	Continuous adjustment
Field of Illumination	45mm
Filters	Cobalt blue, red-free, heat-absorbing, UV retina shield
Intensity of Illumination	80,000 lux

STAND SECTION

Type	Floor stand; Table, Unit, or Wall bracket
Vertical Range of Counterbalanced Arm	15.75" (400mm)

GENERAL INFORMATION

Base Size	23.6" x 22.0" (600mm x 560mm)
Weight	132lbs. (60kgs.)
Height	59.84" (1520mm)
Electrical Power	AC100, 115, 220, 240V, 50/60Hz
Power Consumption	220VA



Surgiscope 3

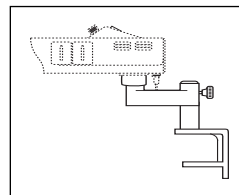
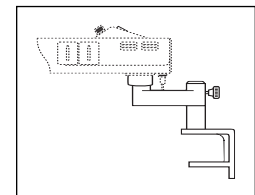
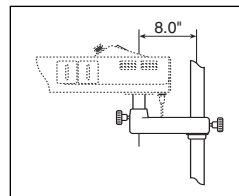


Table mount



Wall mount



Unit mount



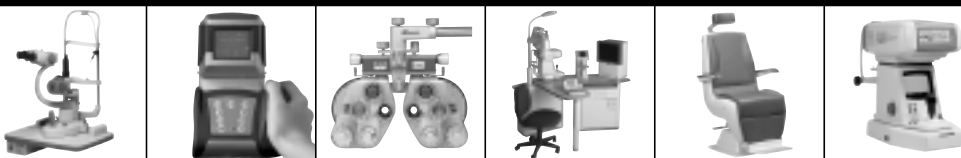
Marco-Certified Quality assures you of the very finest vision products, offering advanced technology, industry-leading durability and enhanced productivity for your practice. Marco-Certified Quality is your mark of confidence.

PLAY IT SAFE.

Protect your warranty. Buy your Marco product only from an authorized Marco distributor. Call Marco for the name of the distributor nearest you.

5042000 BR-SURGIS

T H E L E A D E R I N V I S I O N D I A G N O S T I C S



11825 Central Parkway | Jacksonville, FL 32224 | 800 874-5274 | 904 642-9330 | www.marco.com